



UC50e

High Temp Undercounter
Dishwasher And
Glasswasher



FEATURES:

- 30 racks / 120 covers per hour.
- Double skin stainless steel provides consistent heating and a quiet operation.
- Operator friendly, removable stainless steel wash and rinse arms allows for easy cleaning.
- Fully automatic cycle for easy operation.
- Stainless steel safety filters protect washing pump.
- Door and water level safety switches, plus booster safety thermostat.
- Stainless steel molded rack supports, polished stainless steel surface and tanks with rounded corners for a total and easy cleaning.
- Built-in detergent and rinse chemical pumps.
- Triple filtering protection system, captures excess soil and debris.
- Pump drain allows for multiple installation applications including elevated drains.



Upper and lower wash and rinse arms guarantee excellent results.



Large 13-3/4" door clearance accommodates oversized plates, glasses and utensils.



Uses standard 19-3/4" X 19-3/4" racks. Large 13-3/4" glass clearance.



Top mounted controls are easy to read and simple to operate.

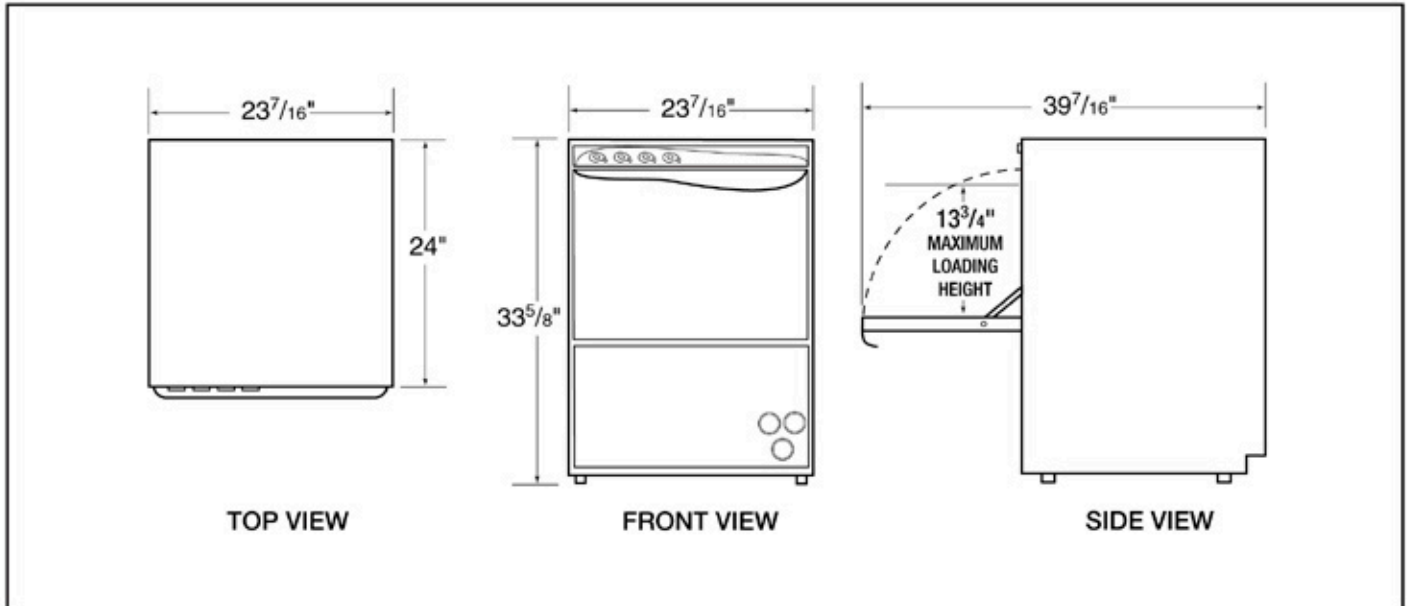




UC50e

High Temp Undercounter Dishwasher And Glasswasher

WARNING: Plumbing connections need to be made by a qualified service company who will comply with all available Federal, State, and Local Health, Plumbing and Safety codes.



Specifications:

MODEL UC50	USA	METRIC	USA	METRIC
OPERATING CAPACITY				
RACKS PER HOUR (NSF RATED)	30/20	30/20		
OPERATING CYCLE				
WASH TIME-SEC	100/160	100/160		
RINSE TIME-SEC	15/15	15/15		
TOTAL CYCLE TIME	120/180	120/180		
WASH TANK CAPACITY	6.87 GAL	(26 L)		
OPERATING TEMPERATURE				
REQUIRED	160°F/180°F	(71°C/83°C)		
RECOMMENDED	160°F/180°F	(71°C/83°C)		
WATER CONSUMPTION				
PER RACK	.8 GAL	(3 L)		
PER HOUR	24GPH/16GPH)	(90LPH/60LPH)		
WATER INLET	3/4"	-		
DRAIN	1"	-		
WASH PUMP MOTORS HP			1	1
DIMENSIONS				
DEPTH	24"	(61 CM)		
WIDTH	23-7/16"	(59.5 CM)		
HEIGHT	33-5/16"	(84.5 CM)		
MAXIMUM CLEARANCE				
HEIGHT FOR DISHES	13-3/4"	(35 CM)		
STANDARD DISHRACK			1	1
DIMENSIONS			19-3/4"X19-3/4"	(50X50CM)
ELECTRICAL RATING			VOLTS	PHASE
			220-240	1-60Hz
				AMPS
				30

Summary Specifications:

The UC50e dishwasher and glasswasher is a front loading machine designed to produce sparkling clean glasses and dishes. Constructed of double walled stainless steel skin providing constant heating and a quiet operation. Standard features include upper and lower wash/rinse arms and wash and rinse tank heater.

KROMO BRANDS

Distributed exclusively by CMA Dishmachines

